

Anyshop Scale

CL5200N-HS



Large display can accurately display the weight and price.

LARGE DISPLAY



Paper cartridge supports quick and easy replacement of new label roll.

PAPER CARTRIDGE



The body is made of stainless steel, so it is more hygienic.

HYGIENIC BODY

Anytime! Anywhere! Anyplace! Anyshop Scale

Due to its reliable stainless steel body, CL5200N-HS is specialized in hygiene and maintenance. Equipped with a large full-size graphic display, users can accurately check the results, and a cartridge-type label makes it easy for anyone to replace the paper. Also, with its USB interface, product maintenance becomes much easier than before.



Powerful network systems can be built up through various interfaces which include USB, RS-232C, RJ11, and Ethernet. Also, data backup, recovery, and firmware updates are available via USB memory.

VARIOUS INTERFACES



10,000 PLUs and 1,000 ingredients can be stored.

LARGE MEMORY

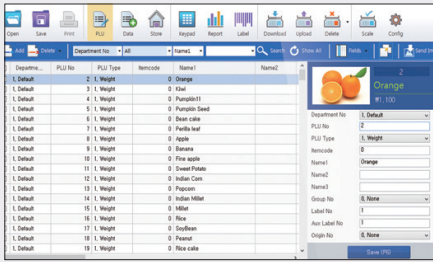


Up to 144 products can be registered in the PLU keys. Also, it can be used as function keys by assigning frequently used functions.

FLEXIBLE PLU KEYS

CL Series Management Software: CL-Works Pro

CL-Works Pro can edit the product data in the CL5200N series directly. Also, it can manage multiple scales at the same time.



> PLU Editor

- * Modify PLUs and product information
- * Allows PLUs management by excel

> Label Editor

- * 20 modifiable label formats
- * Easy downloading of label formats

> Keypad editor

- * Easy to setup and download
- * Print actual size layout of keypad

> Label Formats

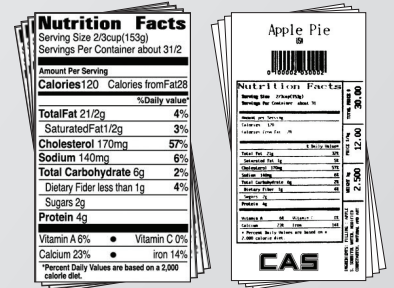
CL5200N-HS supports 45 basic formats, and users can design additional 20 labels through CL-Works Pro.



> Barcode

Almost every conventional barcode types are available.

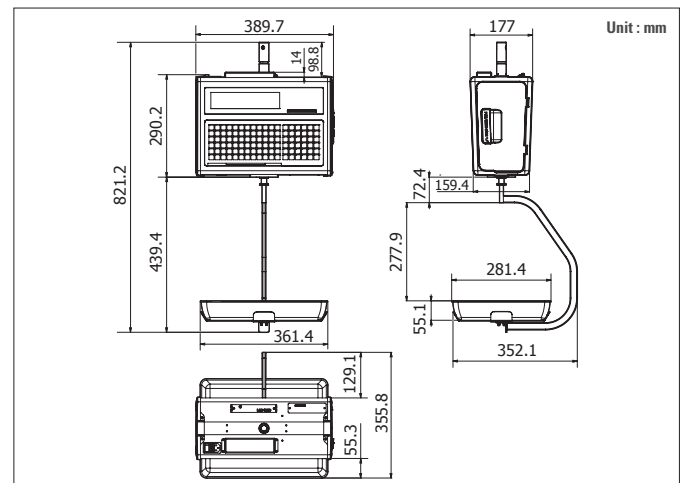
- UPC, EAN13, I20F5, CODE128, CODE39, CODE93, CODABAR, GS1 Databar, QR code, etc.



SPECIFICATIONS

MODEL	CL5200N-HS		
Max. capacity(kg)	3/6	6/15	15/30
Readability(g)	1/2	2/5	5/10
External resolution	1/3,000 (dual interval)		
Display Type	Graphic LCD (208 x 48)		
Printing speed	Max. 100 mm/sec		
Printer resolution	202 dpi		
Label Size (mm)	Width: 40-60, Height: 30-200		
Power	AC 100-240V, 50/60Hz		
Operating temperature	-10°C - +40°C		
Platter Size (mm)	357(W) x 289(D)		

DIMENSIONS



CL5200N SERIES



◀ CL5200N-B



◀ CL5200N-P



◀ CL5200N-HS

Ver.1.0 31110202



CAS Global homepage

CAS BLDG., 1315, YANGJAE-DAERO
GANGDONG-GU, SEOUL, KOREA
TEL_82 2 2225 3500 / FAX_82 2 475 4668

www.globalcas.com



Specifications are subject to change without notice improvement.